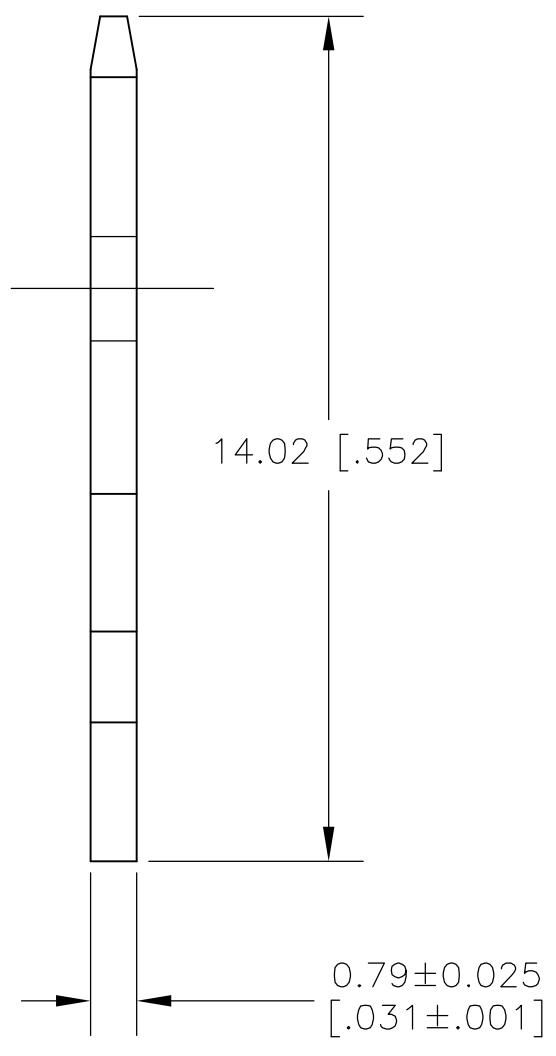
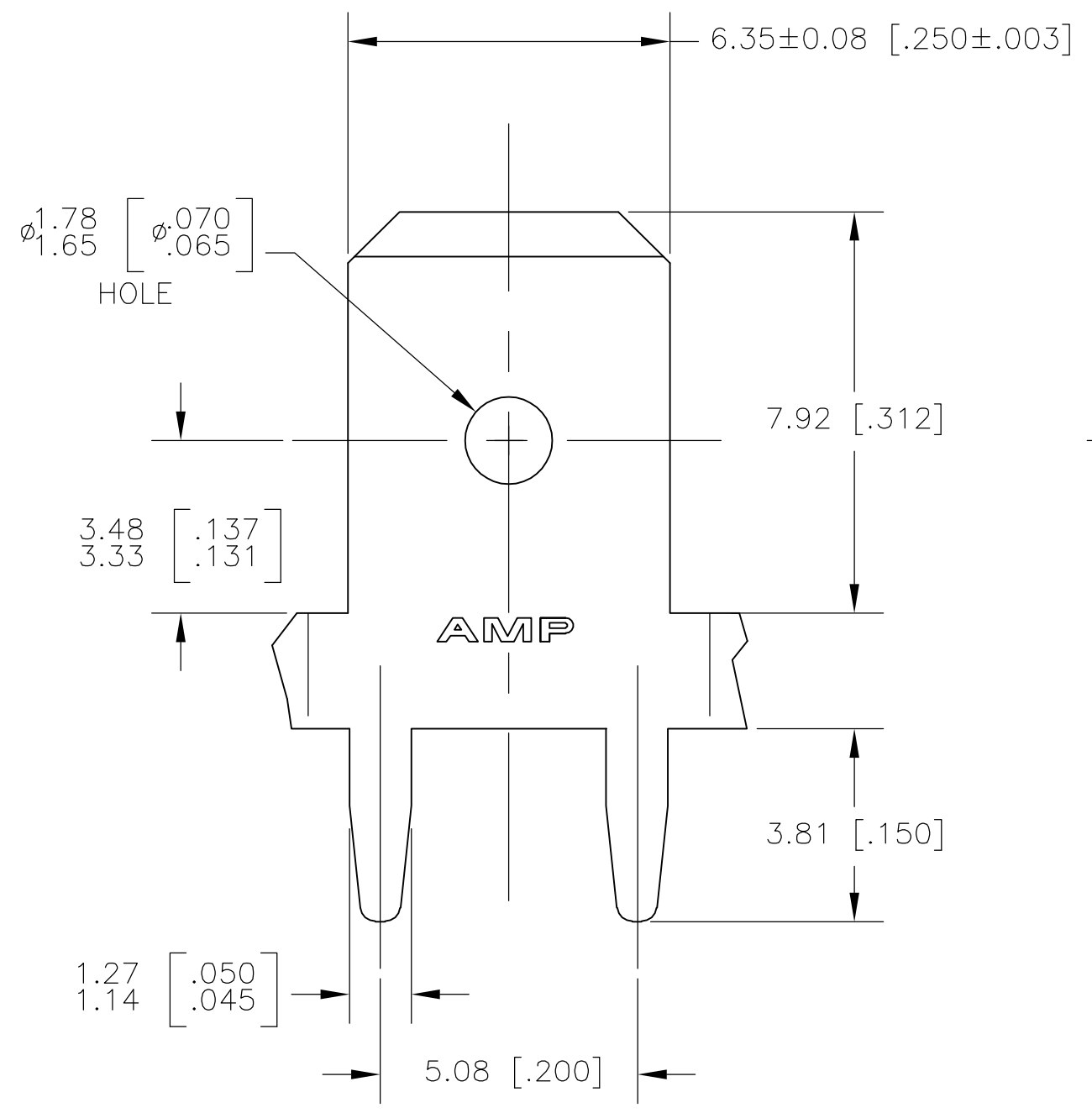
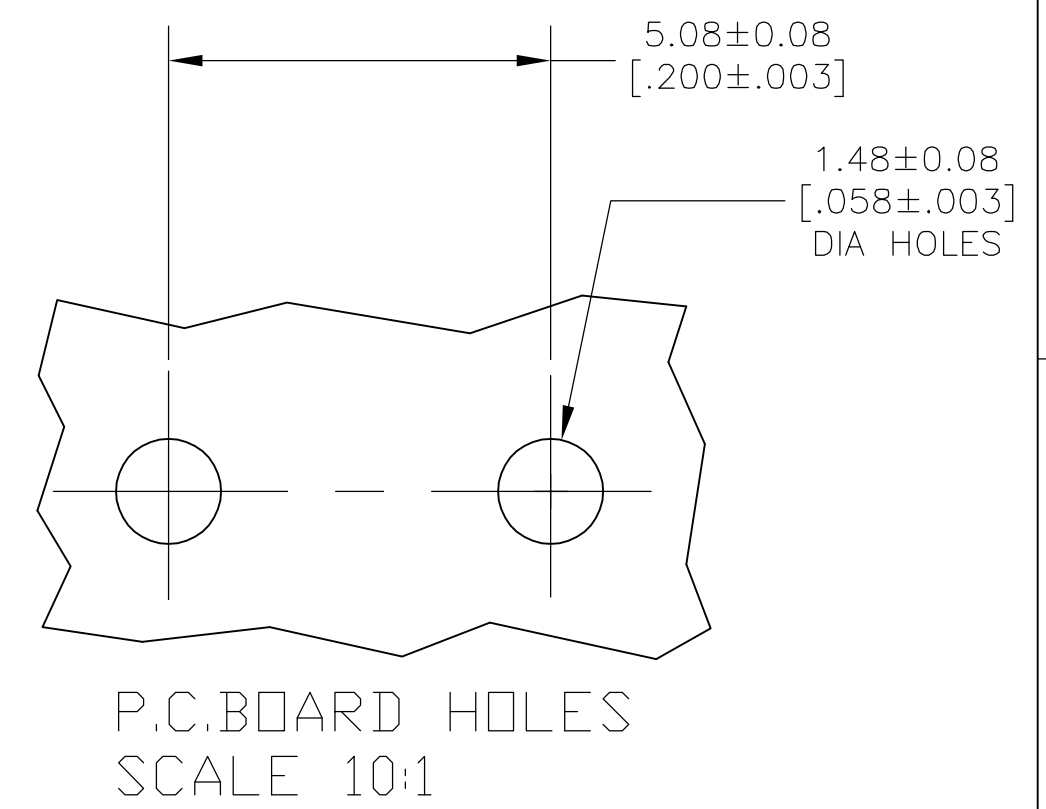


THIS DRAWING IS UNPUBLISHED. RELEASED FOR PUBLICATION
 © COPYRIGHT BY TYCO ELECTRONICS CORPORATION. ALL RIGHTS RESERVED.

LOC	DIST	REVISIONS					
AF	50	P	LTR	DESCRIPTION	DATE	DWN	APVD
			D	REV PER EC R06-001838	27FEB06	JR	KR



- 1 CONTINUOUS STRIP ON REELS.
- 2 0.00381 [.000150] MIN TIN OVER
0.00254 [.000100] MIN THK COPPER
OR
0.00381 [.000150] MIN TIN OVER
0.00127 [.000050] MIN NICKEL
- 3 FEED IS 7.92±0.076 [.312±.003]



1217539-1
PART NUMBER

THIS DRAWING IS A CONTROLLED DOCUMENT.		DWN	JR RUTH	14NOV00	tyco Electronics	Tyco Electronics Corporation	
DIMENSIONS: MM [INCHES]		CHK	MS FEHER	14NOV00		Harrisburg, PA 17105-3608	
TOLERANCES UNLESS OTHERWISE SPECIFIED:		APVD	G PORTA	14NOV00	NAME		
0 PLC ± -		PRODUCT SPEC	-		TAB, FASTON, PC BOARD, 6.35 [.250] SERIES		
1 PLC ± -		APPLICATION SPEC	114-2112		SIZE	CAGE CODE	DRAWING NO
2 PLC ± 0.25 [.010]		WEIGHT	-		A3	00779	C-1217539
3 PLC ± -		CUSTOMER DRAWING		SCALE	8:1	SHEET	1 of 1
4 PLC ± -				REV	D		
ANGLES ± -							
MATERIAL		FINISH					
082 BRASS		TIN OVER COPPER					